

4

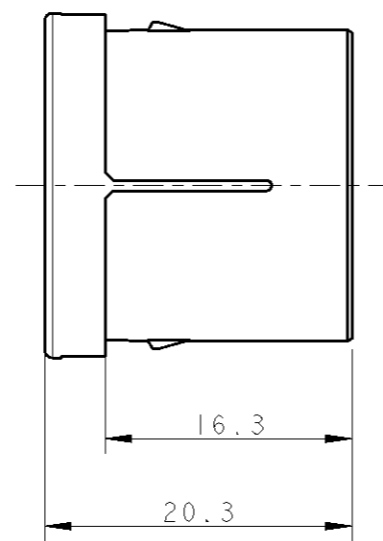
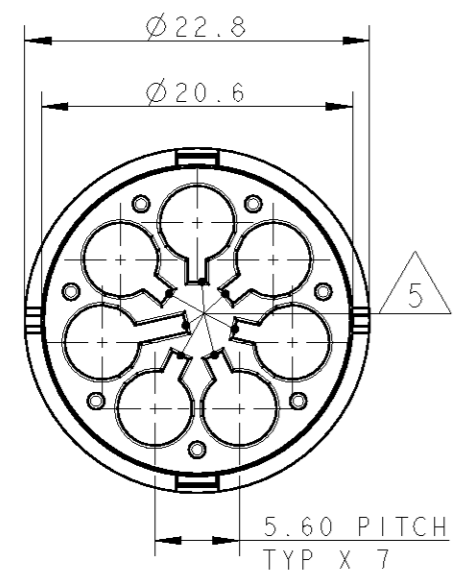
3

2

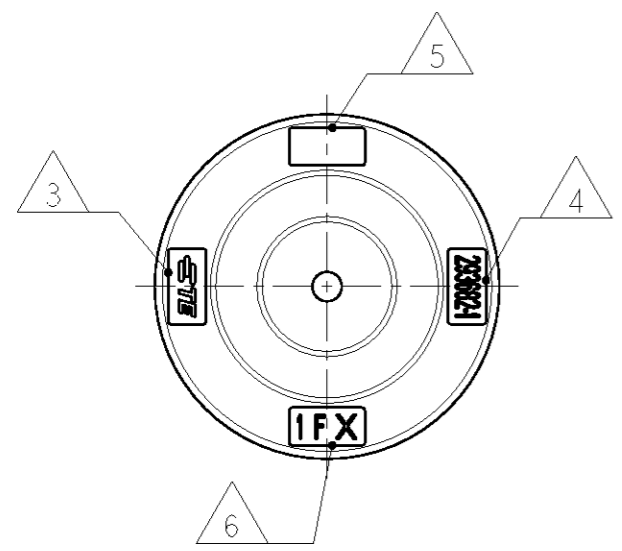
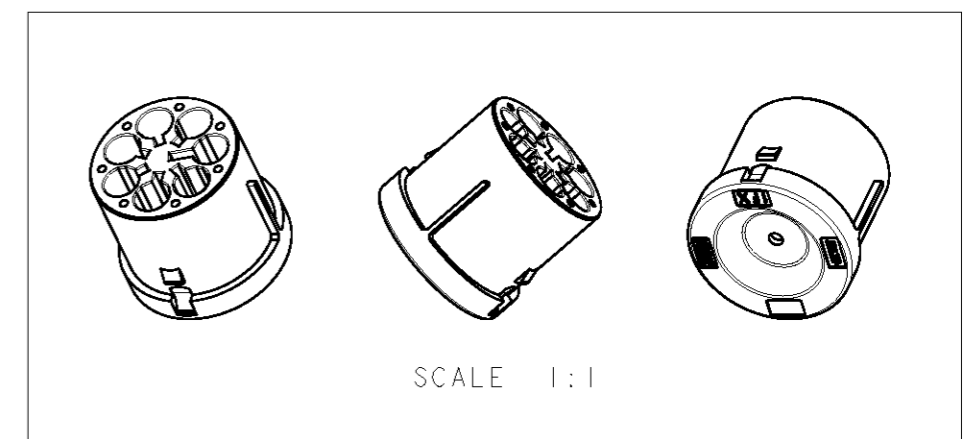
1

THIS DRAWING IS UNPUBLISHED. RELEASED FOR PUBLICATION 20
 © COPYRIGHT 20 BY - ALL RIGHTS RESERVED.

LOC	DIST	REVISIONS					
		P	LTR	DESCRIPTION	DATE	DWN	APVD
1	-		5	UPDATED	07JUN2011	AB	GT
			6	UPDATED	28JUL2011	AB	GT
			A	RELEASED ACC. TO ECR-11-021683	25OCT2011	AB	GT
			AI	UPDATED	08NOV2011	AB	GT



- NOTE:
- 1) MATERIAL: PA GF (GREY COLOUR)
 - 2) ALL POSSIBLE POLARIZATION KEYS ARE SHOWN FOR REF ONLY
 - 3) AREA FOR TE LOGO
 - 4) TE PART NUMBER
 - 5) AREA FOR AGENCIES APPROVAL LOGO
 - 6) DATE MONTH&YEAR AND MOULD IMPRESSION ID
 - 7) TO BE USED ON SOCKET HOUSING TO GET IP 40 ON SEALED AND UNSEALED VERSION



NOTE	COLOUR	DESCRIPTION	REV.	P/N
1	GREY	SOCKET CAP 5,6,7 POLES NECTOR* M-LINE	A	0-293682-1

THIS DRAWING IS A CONTROLLED DOCUMENT.		DWN A. BERNARDI 25JAN2011	TE Connectivity		
DIMENSIONS: mm		CHK -			
TOLERANCES UNLESS OTHERWISE SPECIFIED:		APVD G. TURCO 25JAN2011	NAME SKT HSG LOCKING CAP 5,6,7 POLES M-LINE NECTOR		
0 PLC ±-		PRODUCT SPEC 108-20324	SIZE A300779		
1 PLC ±0.3		APPLICATION SPEC 114-20169	CAGE CODE C-293682		
2 PLC ±0.20		WEIGHT -	DRAWING NO -		
3 PLC ±-		CUSTOMER DRAWING	RESTRICTED TO -		
4 PLC ±-			SCALE 2:1		
ANGLES ±3°		SHEET 1			
FINISH -		OF 1			
		REV AI			